

## Fixing ModWood to steel

As steel substructures tend to undergo quite a degree of movement – caused by thermal expansion and contraction, along with in-built stresses in the steel, considerably more care must be taken with your decking installation. Using the KlevaKlip concealed fixing system will greatly assist in ‘de-stressing’ your deck.

- 1 Always stagger the joins on the deck to ensure there is nothing resembling a ‘seam’ of joins.
- 2 Do not leave boards sitting in the sun (especially on hot days) for any length of time before fixing them down (see info on thermal expansion properties).

### Storage

Store ModWood in a flat, dry area, under roof and off the ground. Always carry ModWood on edge.

### Ventilation

Good ventilation for your deck is essential. Check our chart for ground clearance information. Do not seal off deck ends, preventing airflow including garden beds, trees or solid objects.

### Installation

Fixings should be no closer than 15mm from the end of the board, or 20mm from the outside edge of the board. Do not skew fasten. Double fix on each joist. Do not create a seam of joins.

When butt joining top fix boards it is recommended to have 45mm joists.

### Screw fixing

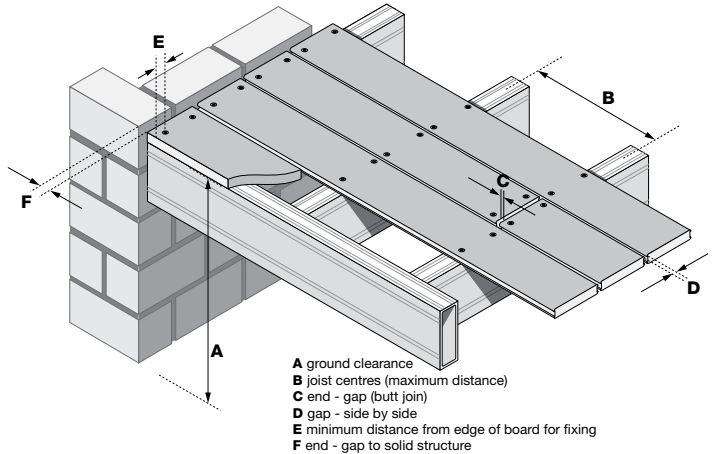
Only use screws that are recommended for use with steel – these will generally be ‘self-drilling’ 10 gauge ‘tek’ screws. ModWood strongly prefers ‘tek’ screws to ‘wing-tek’ screws.

Pre-drilling and countersinking is always essential when fixing ModWood to steel. The hole drilled must be slightly greater than the ‘outside diameter’ of the screw thread – do not penetrate the joist.

Screw down with low torque, especially at the ends of the boards, ensuring the head of the screw rests only marginally under the top of the board.

### Nail Guns

ModWood currently does not recommend using nail guns for fixing to steel.

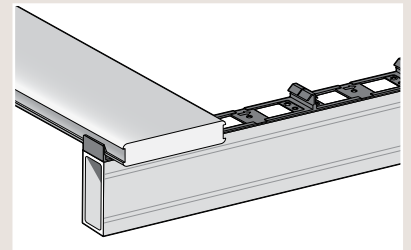


## Concealed Fixing with ModWood

**KlevaKlip** is the preferred method of using concealed fixing with ModWood. For all information on KlevaKlip, please contact [www.klevaklip.com.au](http://www.klevaklip.com.au)

Please note that when using concealed fixing products, it is still important to ensure that the ModWood standard gapping spacing's for side-by-side, butt-joins, and end spacing's are still strictly adhered to.

**Important** please check you use the right model KlevaKlip to fit the right model of ModWood. Refer overleaf.



## ModWood Fixing Specifications

	decking solid (mm)	decking wide (mm)	marina board solid (mm)
<b>Dimensions</b>	<b>88 x 23mm</b>	<b>137 x 23mm</b>	<b>137 x 32mm</b>
<b>A</b> Minimum ground clearance	300	300	300
<b>B</b> Joist centres (max distance)	450*	450*	600*
<b>C</b> Minimum end-gap (butt join)	2	2	2
<b>D</b> Minimum gap - side by side	4	4	6
<b>E</b> Minimum distance from edge of board for fixing	20	20	20
<b>F</b> Minimum end-gap to solid structure	6	6	6
Screws (pre-drill & c'sink)	yes	yes	yes
Fixing over concrete**	yes	yes	yes
Suitability for commercial application	no	yes	yes

\* - depending on concentrated load (kN) this may be reduced. Contact ModWood directly for deflection calculation.

\*\* - check ModWood website for specific instructions for fixing on battens over concrete

**In all cases, when screwing down do not overdrive screws. Fix with low to medium torque.**

**Fixing too close to the end of the board will cause splitting. Do not fix within 15mm of end of board.**

## ModWood thermal expansion properties – fixing tip

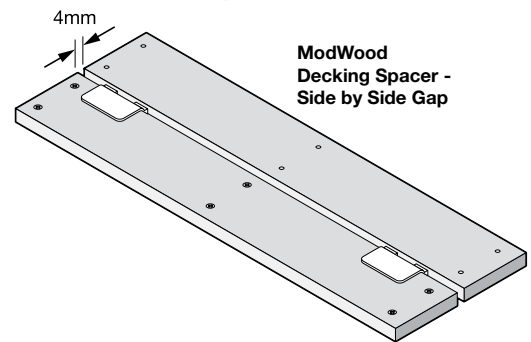
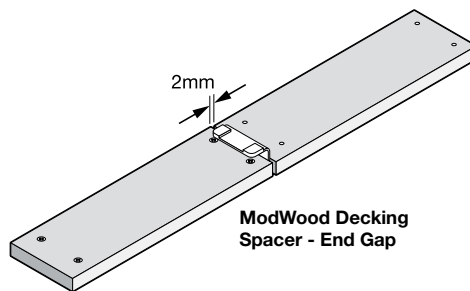
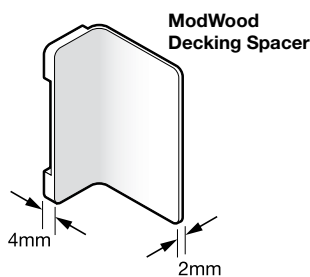
The temperature of a ModWood board sitting in full sun for a length of time is approx. 20-25°C warmer than the ambient air temperature. As ModWood expands in heat and sun, to avoid building stress into your deck and having possible lengthways shrinkage, it is best to fix your

decking boards when the ambient temperature is less than 25°C and when the boards are not sitting in full sun (see “coefficient of thermal linear expansion” on our website).

## ModWood Decking Spacers

ModWood decking spacers, as seen below, have been developed to make your installation easier, and in line with ModWood fixing instructions. **Note:** Every pack of ModWood comes with 10 free

spacers (used as strapping holders on the corners of full packs). Extra spacers are available from your local ModWood retailer, or by contacting the ModWood distributor in your state.



## Typical Fastenings used with ModWood

### Up to 23mm thickness boards

Fixing to steel 10 gauge x 40mm self-drilling ‘tek’ screws

### Over 23mm thickness boards

Fixing to steel 10 gauge x 50mm self-drilling ‘tek’ screws

### General:

- Pre-drilling and countersinking is always essential
- The hole drilled should be slightly greater than the ‘outside diameter’ of the screw thread – do not penetrate the joist
- Screw down with low torque, especially at the ends of the boards

- Ensure the head of the screw rests only marginally under the top of the board
- In high corrosion areas we recommend stainless steel fasteners
- Use only fixings which comply with Australian Standards
- Fixing too close to board end may cause splitting – no closer than 15mm and no closer than 20mm from edge. Do not overdrive fasteners.
- Fasteners must be installed perpendicular to the board face ie. do not skew fix.

## Concealed Fixing on to steel with KlevaKlip

It is critical that the correct model of KlevaKlip is used with the right model of ModWood. The Natural Grain Collection of boards have a groove on edge and suit the following KlevaKlip models.

Note: KSL88N, KSL137N or stainless steel clips must be used around pools and within 1 km of salt water.



### 88mm with groove on edge

KT88G Top Fix Clip Galvanised  
KT88S Top Fix Clip S/Steel  
KT88GPC, KSL88N

### 137mm with groove on edge

KT137G Top Fix Clip Galvanised  
KT137S Top Fix Clip S/Steel  
KT137GPC, KSL137N

Please refer to [www.klevaklip.com.au](http://www.klevaklip.com.au) for fixing details and adhesive instructions.

## ModWood screening Fixing Instructions

Refer to website for specific instructions on fencing and screening applications.